

VICENTERRA

I am interested in purchasing a VICENTERRA AstroLUNA T2 watch.
In pre-order with sales contract. At a price of CHF 14'700.- excluding taxes.

FIRST NAME : *

LAST NAME : *

COMPANY :

N° : STREET : *

ZIP CODE : *

CITY : *

COUNTRY : *

PHONE : *

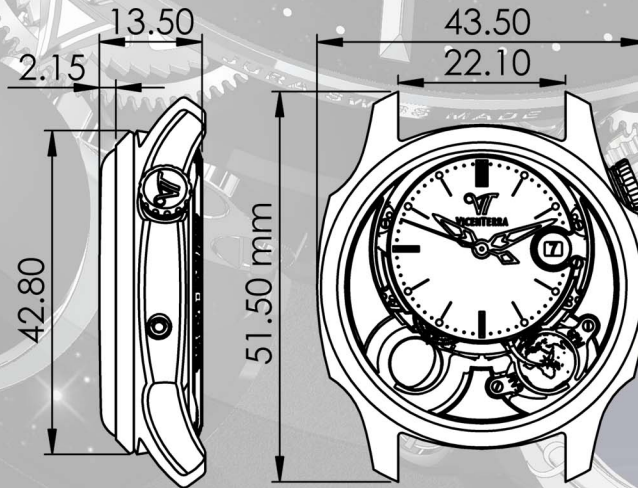
E-MAIL : *

Wrist size : *

cm

MODEL : =>

AstroLUNA T2 Black Aventurine Titanium grade 5



Date : *

By submitting this form, I accept that the information entered is exploited in the context of the commercial relationship that can result.

Check box

Subject to availability

/25 T2 black Aventurine Réf N°174.01.22

Note : Subject to availability for a VICENTERRA timepiece...

Form to be returned by regular mail or e-mail :

VICENTERRA SA
1 Rue du Stade
CH-2926 Boncourt
customer@vicenterra.ch
www.vicenterra.ch

(Images and photos are not contractual)

* Required Fields